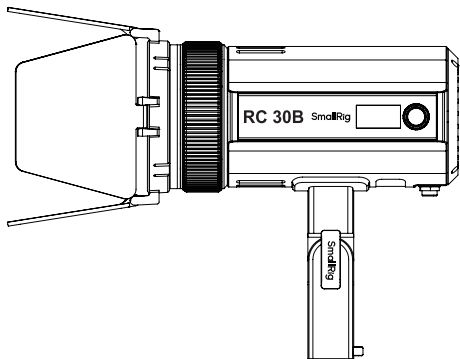


SmallRig



RC 30B COB LED Video Light

User Manual

Thank you for purchasing SmallRig's product.

Warnings

1. Please read this User Manual carefully.
2. Keep this User Manual and always include it when passing the product onto the third party.
3. Heed all warnings and follow all instructions in this User Manual.
4. Close supervision is necessary when any fixture is used by or near children. Do not leave the fixture unattended while in use.
5. Care must be taken as burns can occur from touching hot surfaces.
6. Do not operate the fixture if a cord is damaged or if the fixture has been dropped or damaged until it has been examined by qualified service personnel.
7. Position any power cables so that they will not be tripped over, pulled or put into contact with hot surfaces.
8. If an extension cord is necessary, a cord with an amperage rating at least equal to that of the fixture should be used. Cords rated for less amperage than the fixture may overheat.
9. Always unplug the lighting fixture from the electrical outlet before cleaning and servicing or when not in use. Never yank the cord to remove the plug from the outlet.
10. Let the lighting fixture cool completely before storing.
11. To reduce the risk of electric shock, do not immerse this fixture in water or any other liquids.
12. To reduce the risk of fire or electric shock, do not disassemble this fixture. Contact smallrig@smallrig.com or take it to qualified service personnel when service or repair work is required.
13. The use of an accessory attachment not recommended by the manufacturer may increase the risk of fire, electric shock, or injury to any person operating the fixture.
14. Power this fixture by connecting it to a grounded outlet.
15. Please do not block the ventilation and do not look at the light directly when it is powered on.
16. Please do not place the LED lighting fixture near any liquids or other flammable objects.
17. Only use a dry microfiber cloth to clean the product.
18. Please have the product checked by an authorized service personnel agent if your product has a problem.
19. The malfunctions caused by unauthorized disassembly are not covered under the warranty.
20. We recommend only using the original SmallRig cable accessories. Please note that our warranty for this product does not apply to any repairs required due to any malfunctions of unauthorized SmallRig accessories, although you may request such repairs for a fee.
21. This product is certified by RoHS,CE,RCM and FCC. Please operate the product in full compliance with the operation standards. Please note that this warranty does not apply to repairs arising from malfunctions, although you may request such repairs on a chargeable basis.
22. The instructions and information in this manual are based on thorough, controlled company testing procedures. Further notice will not be given if the design or specifications change.

FCC Compliance Statement

This device complies with Part 15 of the FCC Rules. Operation is subject to the following two conditions:

(1) This device may not cause harmful interference.

(2) This device must accept any interference received, including interference that may cause undesired operation.

Warning: Changes or modifications not expressly approved by the party responsible for compliance could void the user's authority to operate the equipment.

Note: This equipment has been tested and found to comply with the limits for a Class B digital device, pursuant to Part 15 of the FCC Rules. These limits are designed to provide reasonable protection against harmful interference in a residential installation. This equipment generates, uses and can radiate radio frequency energy, if not installed and used in accordance with the instructions, may cause harmful interference to radio communications. However, there is no guarantee that interference will not occur in a particular installation. If this equipment does cause harmful interference to radio or television reception, which can be determined by turning the equipment off and on, the user is encouraged to try reorient or relocate the receiving antenna.

* Increase the separation between the equipment and receiver.

* Connect the equipment to an outlet in a different circuit than the receiver is connected to.

* Consult the dealer or an experienced radio/TV technician for help.

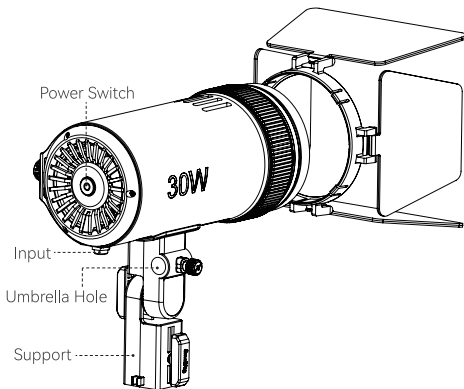
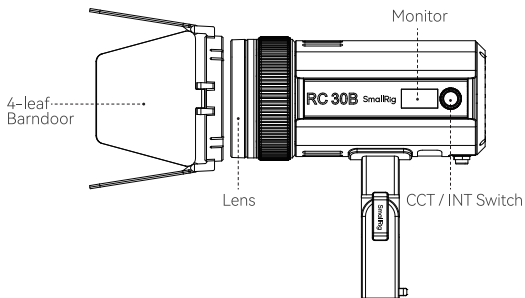
RF Warning Statement

This device has been evaluated to meet general RF exposure requirements.

In the Box

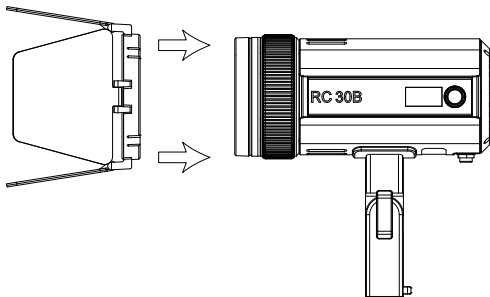
RC 30B COB LED Video Light	× 1
4-leaf Barndoor	× 1
AC Adapter	× 1
User Manual	× 1

Product Details

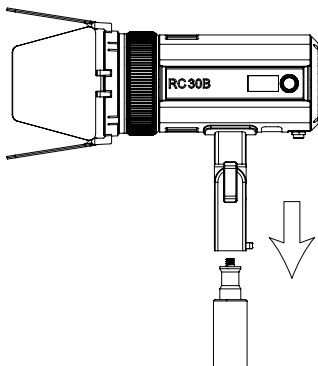


Installation Instruction

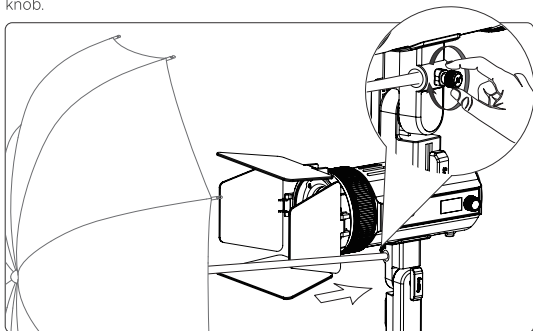
1. Install the 4-leaf barndoor on the light in the direction of the arrows shown.



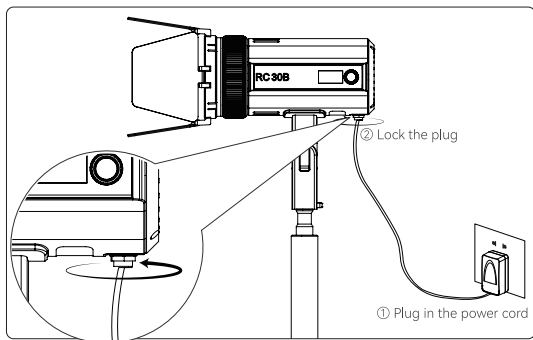
2. Adjust the light to the appropriate Angle and rotate the tightening knob to secure the light on the tripod.



3. Insert the handle of umbrella softbox into into the hole and lock the knob.



Power Supply



Notice: When pulling out the power cable, loosen the locking device on the plug first. Do not pull it out forcefully

Operations

1. Turn on the power and long press the Power button.

2. Light Control.

2.1. Brightness adjustment.

Rotate the CCT / INT knob to adjust the brightness with 1% variable and the brightness change range is 0 ~ 100%, the change of the brightness will be displayed in real time on the monitor.

2.2. Color Temperature Adjustment.

A. Press the CCT /INT knob and switch to CCT mode.

B. The CCT is adjusted between 2700K ~ 6500K.

2.3. Beam Angle adjustment: Adjust the zoom ring in front of the light head to change the light Angle between 15° ~ 60°.

Specifications

Light Operating Current	1.5A
Light Power Supply	24V
Adapter Power Supply	AC 100 ~ 240V 50 / 60Hz
Color Temperature	2700K ~ 6500K(±200K)
Size	160 × 85 × 115mm
Power Consumption	36W
Cooling Mode	Positive
CRI & TLCI	97+
Power supply	AC
Weight	570g

Photometrics

CCT	INT (15°)	INT (60°)
2700K	9240 (lux)	1200 (lux)
3200K	9660 (lux)	2390 (lux)
5600K	10900 (lux)	2700 (lux)
6500K	11400 (lux)	2800 (lux)

Service Warranty

Please keep your original receipt and guarantee card. Be sure the dealer has written on it the date of purchase and SN of the product. These are required for warranty service.

After-sale Warranty Terms

SmallRig products are entitled to warranty services as of the date of payment.

- Electronic products (except V mount battery): 1-year warranty.
- V mount battery: 2-year warranty.
- Non-electronic products: 2-year warranty.

Note: In case of any conflict between our warranty period policy and applicable laws and regulations of the country / region where the products are sold, the latter shall prevail.

This Warranty Does Not Cover

1. If users fail to adhere to the "Operating Instruction" or any "Warnings" stated in the user manual, resulting in a quality failure, it falls outside the scope of warranty coverage.
2. The product identification or SN label is removed or defaced in any way.
3. Product damage caused by problems not attributable to the quality of the products such as improper use of the products.
4. Product damage caused by unauthorized modification, disassembly, repair and other acts.
5. Product damage caused by fires, floods, lightning and other force majeure factors.

Warranty Mode

- For the products within the scope of warranty, SmallRig will repair or replace them on the basis of specific failures; the repaired / replaced products / parts are entitled to the remaining part of the original warranty period.

Contact Information

- You're advised to contact the online customer service personnel of corresponding shopping platform and submit a repair service application.
- You may also apply for repair service through SmallRig's service email.
Service Email: support@smallrig.com

Guarantee Card

ID No.	
Item Name	
Purchase Date	
User Name	
Mobile	
Address	
Receipt	

EC	REP
----	-----

Sea&Mew Accounting Ltd,
Electric Avenue Vision 25, London, Enfield EN3 7GD,
Billy Han, info@seamew.net

UK	REP
----	-----

GAVIMOSA CONSULTORIA, SOCIEDAD LIMITADA,
CASTELLANA 9144, 28046 Madrid,
Jorge Wilson, compliance.gavimosa@outlook.com

Manufacturer: Shenzhen Leqi Innovation Co., Ltd.

Add: Rooms 103, 501 and 601, Building 5, Fenghe Industrial Park, Nos. 1301-50
Guanguang Road, Longhua District, Shenzhen, Guangdong, China.

Consignor: Shenzhen LC Co., Ltd.

Add: Rooms 602, Building 5, Fenghe Industrial Park, No. 1301-50 Guanguang Road,
Xinlan Community, Guanlan Street, Longhua District, Shenzhen, Guangdong, China.

CE RoHS FC



FR
Cet appareil,
ses accessoires
et cordons
se recyclent

À DÉPOSER
EN MAGASIN

OU

À DÉPOSER
EN DÉCHÈTERIE

Points de collecte sur www.quefairedemesdechets.fr
Privilégiez la réparation ou le don de votre appareil !



WE ARE HERE FOR YOU
服务与支持

ETICHETTATURA AMBIENTALE
ENVIRONMENTAL LABELING



FR
LE TRI
+ FACILE



Séparez les éléments avant de trier



Made in China